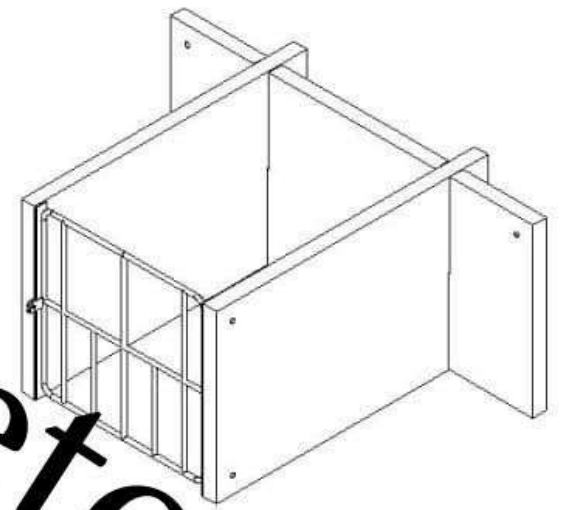
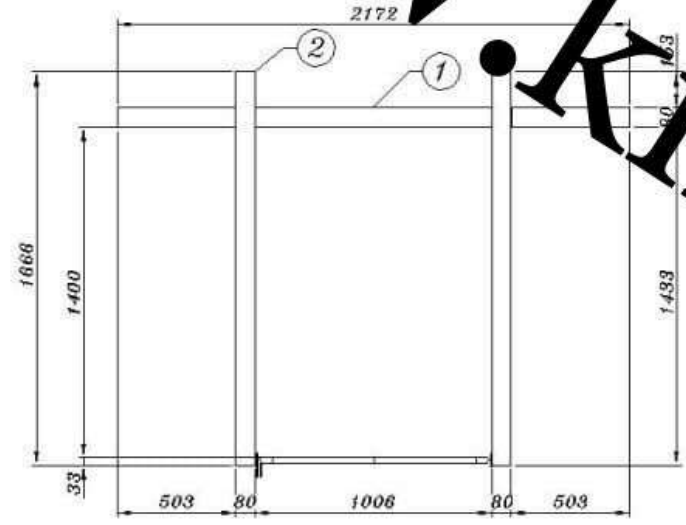
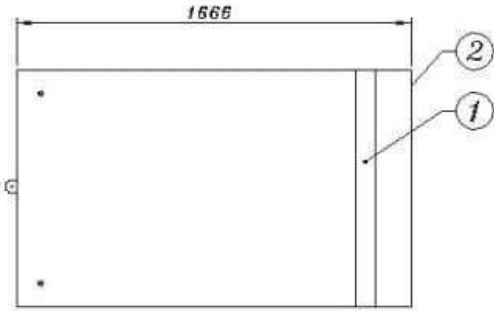
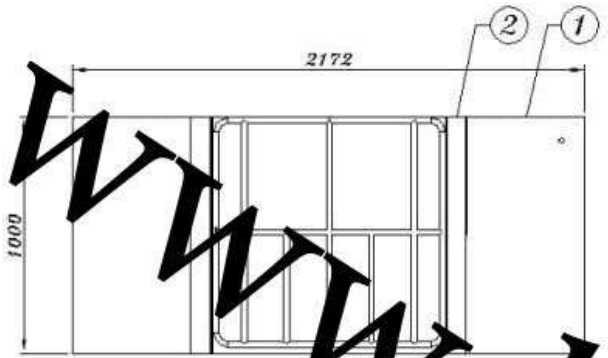



SCALE: 1/20		SHEET: 1/20-3		DATE:	
DWG No:					
DRAWN:		NAME:	DATE:	 KIMIASAN Engineering & Construction Co.	
DESIGNER:		KHALESAFI			
CHECKER:		M.Schachlian		TITLE:	
APPROVED:		M.Schachlian		محل نگهداری گویانه دو طرفه	
MATERIAL:				weight:	



		2
		1
		0
DATE	CHECKED	Description
SCALE: 1/20	SH-110-3	CLIENT:
DWG No:		
NAME	DATE	
DRAWN: KESHA/ARZ	1309/10/25	TITLE:
DESIGNER: KHAYYARI		محل نگهداری گویانه یک طرفه
CHECKER: M.Schachlian		MATERIAL:
APPROVED: M.Schachlian		weight:

www.kimiabeton.ir